

Perseus Power Supply

Bill of Materials

1 ea - Cabinet, Aluminum, 1550WC, Hammond Manufacturing
Mouser #546-1550WC

1 ea - 6' Power cable with 5.5 X 2.5 mm coaxial power plug -
<http://www.phcenterprise.com/plugs.html>
or Alectron Cable, Power; EH-1169 5.5 x 2.5 mm; 24 AWG
Allied 283-1170

1 ea - 8V Regulator LM7808CV, STMicroelectronics
Allied 248-0670 8V @ 1.5A

1 ea - 5V Regulator LM2940CT-5.0/NOPB, National
Semiconductor, Allied 288-0449 5V @ 1.0A

2 ea - TO-220 Mounting Kits, Aavid Thermalloy 4880SG

1ea- FUSE HOLDERS, PANEL MOUNT, 1/4X1-1/4 INCH,
Cooper Bussmann HTB-22I-R 740-0634 Allied

2 ea - Mounting Kit, TO-220 w/ Hardware, Aavid Thermalloy
4880SG 619-0115 Allied

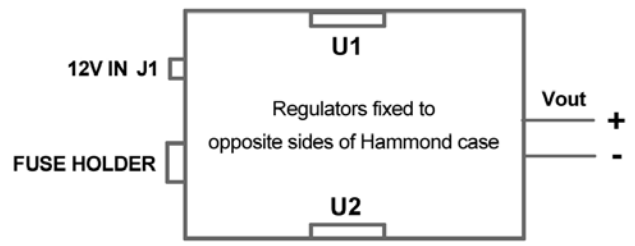
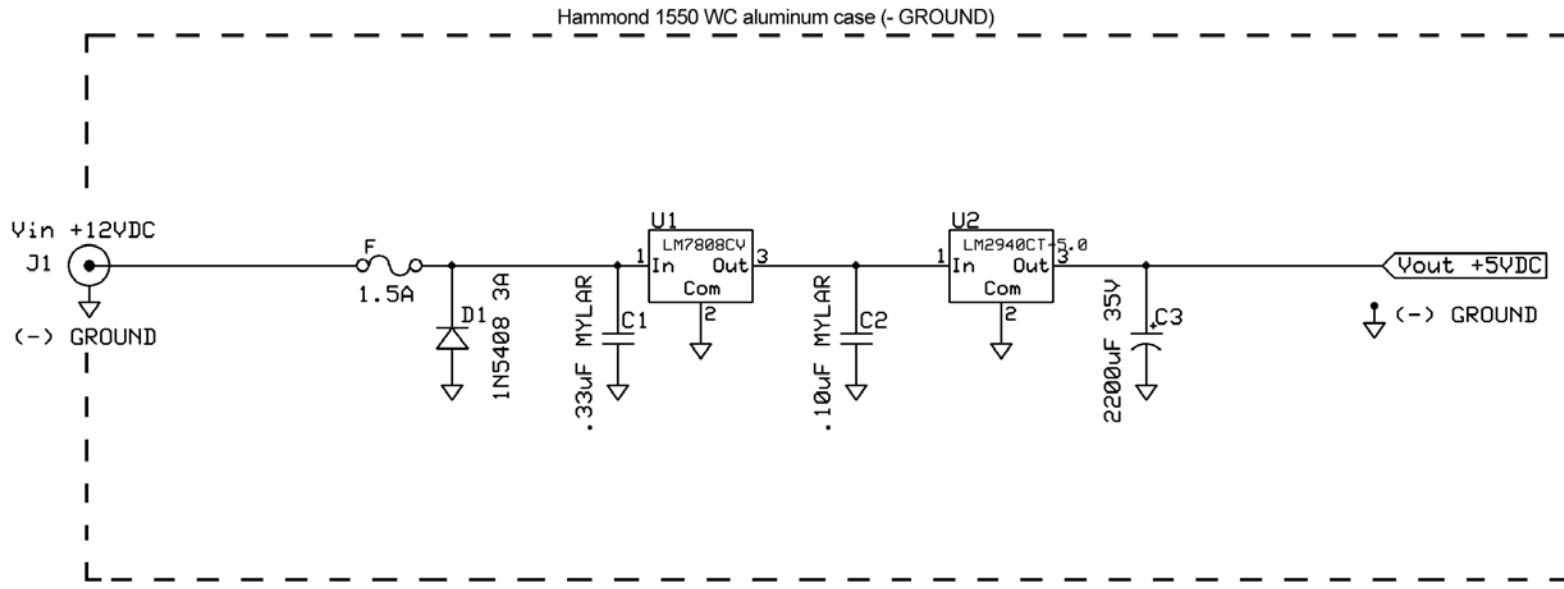
1 ea-Diode, REC AXIAL 3A 1KV STD, ON Semiconductor
1N5408 568-0554 Allied

1 ea - Capacitor, 0.1uF, Mylar

1 ea – Capacitor, 0.33uF, Mylar

1 ea - Electrolytic Capacitor, 2200 uF @ 35 or 50V, Axial,
Vishay Specialty Capacitor TVA1311.5-E3 507-1094 Allied

1 ea - Radio Shack Size M, 5.5mm O.D.x 2.1mm I.D. Panel-
Mount Coaxial DC Power Jack, Radio Shack Catalog
#: 274-1563



| | | |
|----------------------------|-----------------------|------------|
| Perseus 5 Volt DC | | |
| Linear Power Supply | | |
| C. Rippel / G. Atkins | Rev 1.0 12/29/2010 | Pg. 1 of 1 |