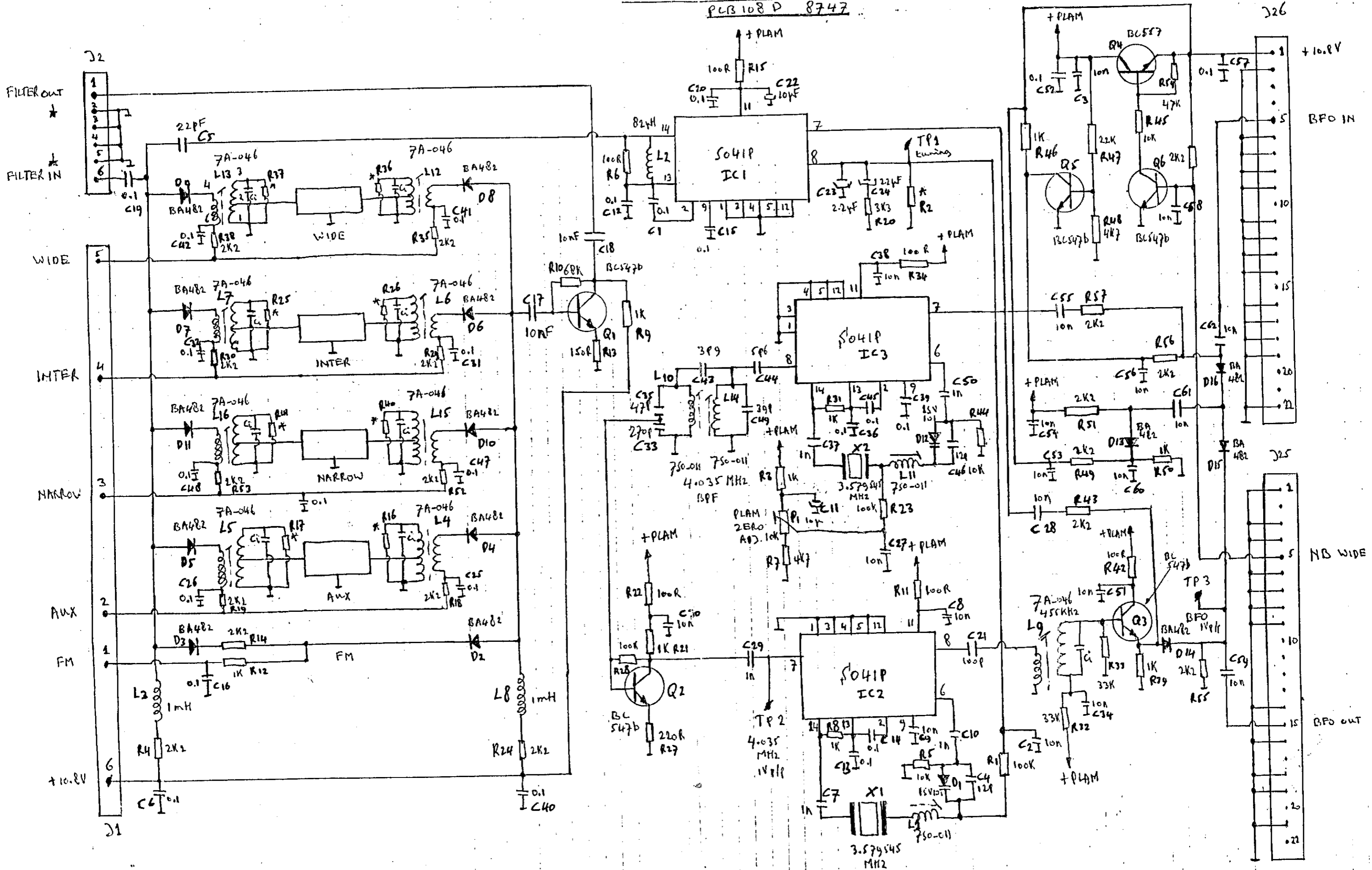
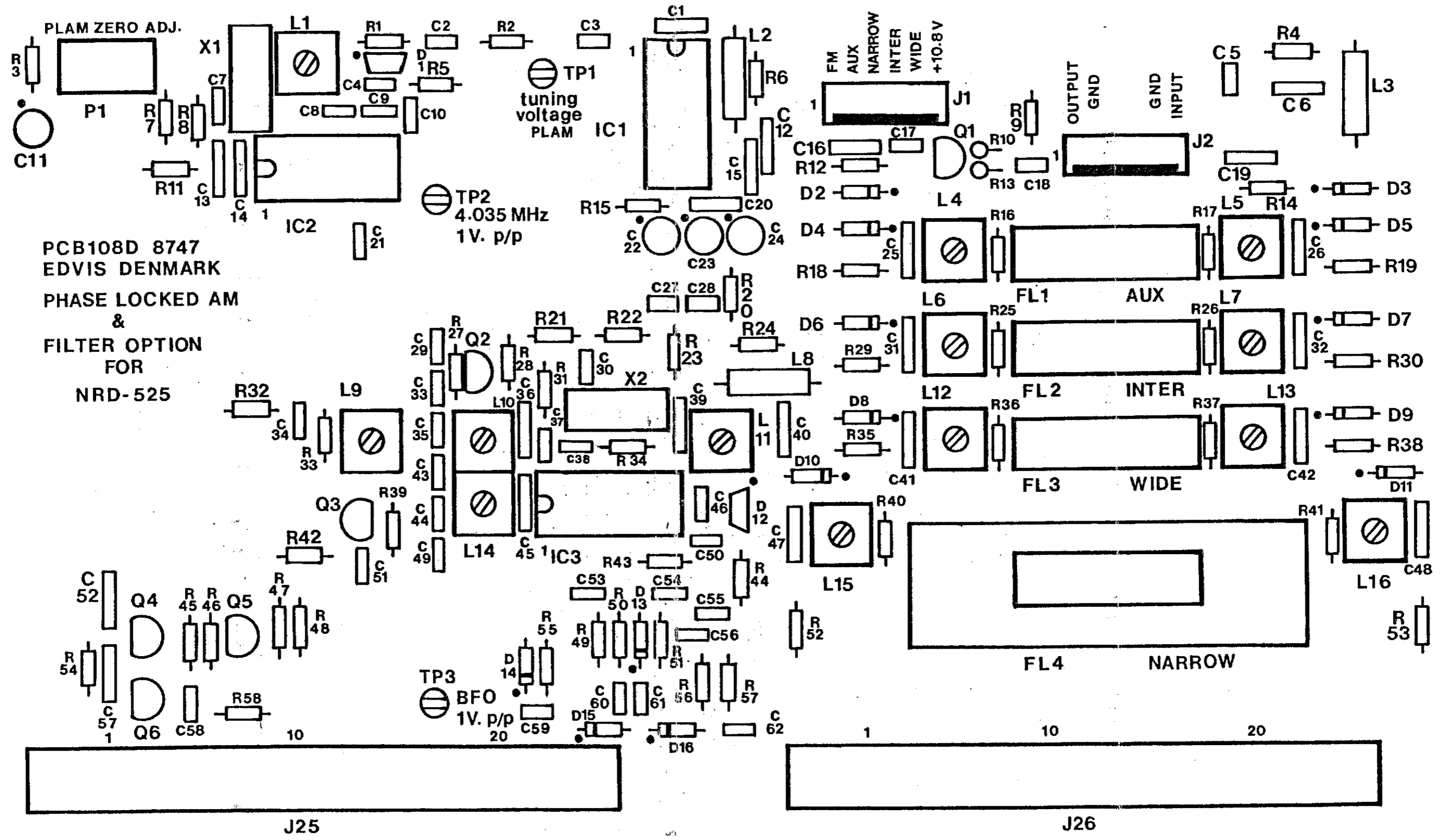


NRD-525 PLAM & FILTER OPTION

14/11-87

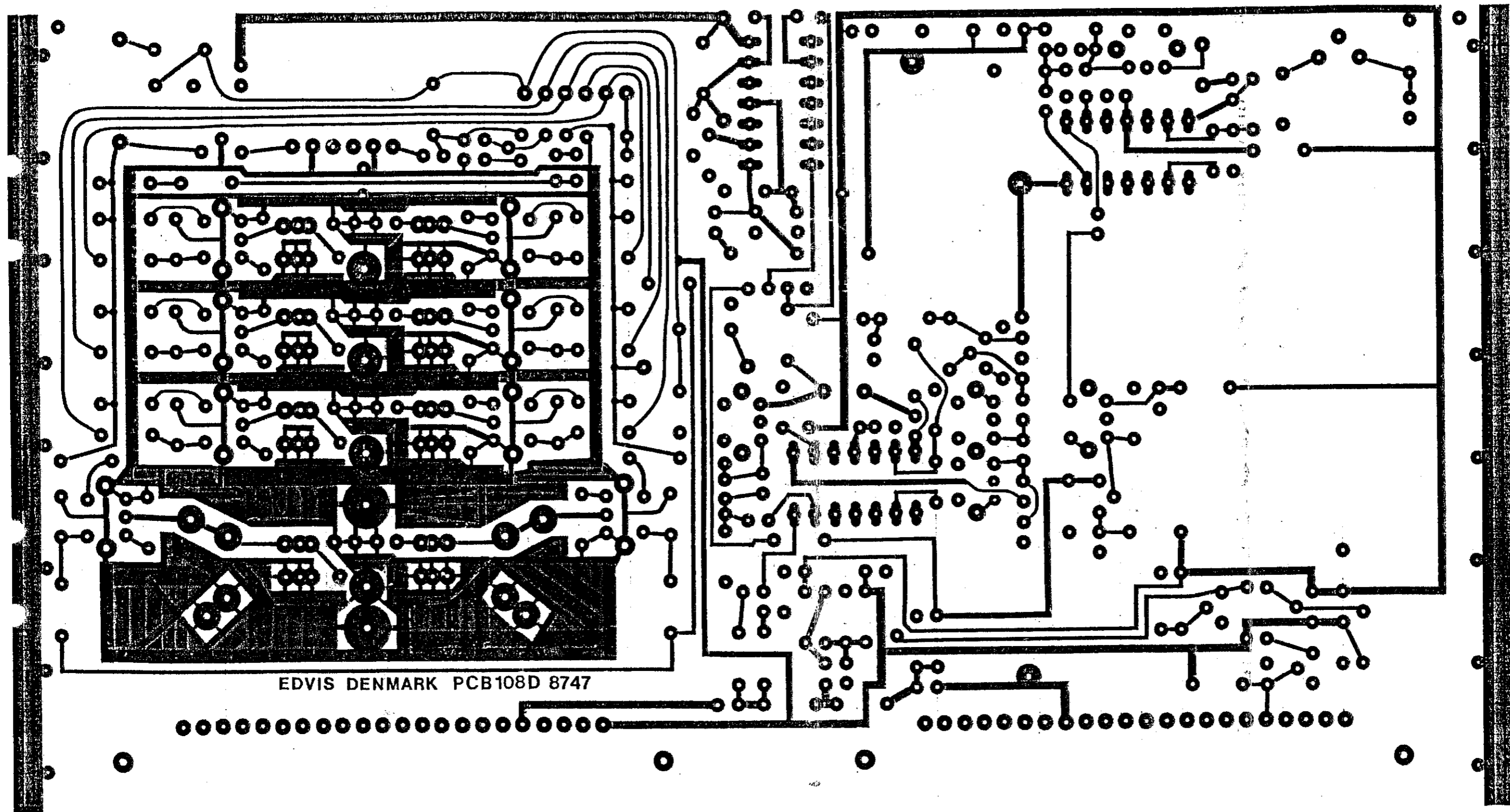
PCB 108 D 8747





PCB108D 8747  
 EDVIS DENMARK  
 PHASE LOCKED AM  
 &  
 FILTER OPTION  
 FOR  
 NRD-525

PCB108D EDVIS 8747  
 COMPONENT PRINTING 2:1



EDVIS DENMARK PCB108D 8747

PCB108D EDVIS 8747  
SOLDER SIDE 2:1